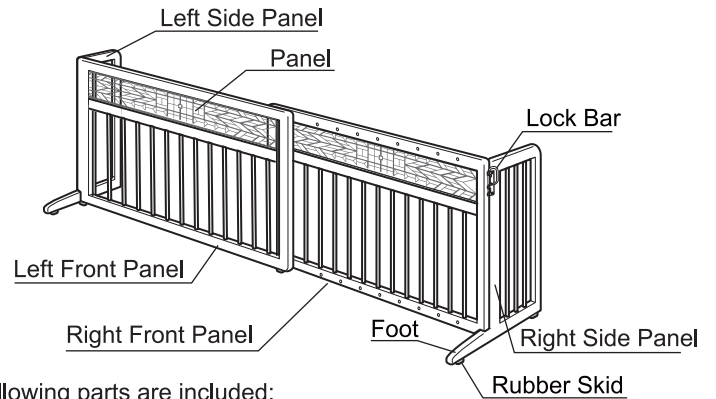


# Instruction Manual

Thank you for choosing Richell's Mission Aztec Freestanding Pet Gate. Please read this instruction manual carefully before using this product, and keep for future reference. If you give this product to someone else, please also give this instruction manual. Please note some parts of the figures shown may be slightly different from the actual product, for your better understanding of the structure and proper use.

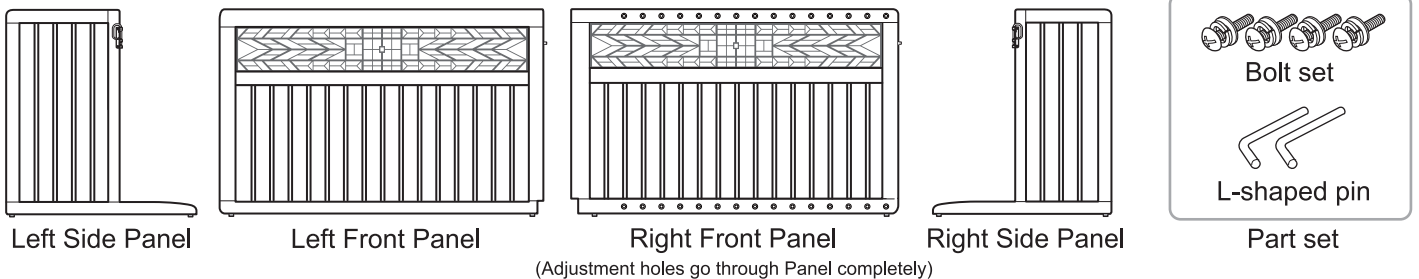
## Features

- This product is designed for small to medium dogs 6.6 - 33 lbs.
- Beautifully designed yet easy to use.
- Gate is free-standing, allowing for easy placement anywhere.
- Width is adjustable to fit different sized openings.
- Wooden frame co-ordinates well with home interior.
- Rubber skids keep gate in place and prevent shifting.



## Parts

Before assembling this product, make sure the following parts are included:



## What are the following signs?

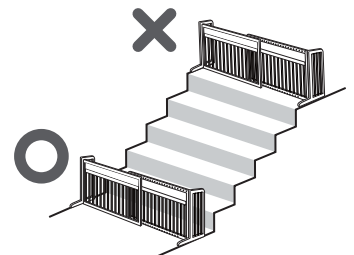
The following signs are special remarks for safety use of the product. Keep these remarks in mind before using this product.

- Warnings!** : Remarks on inappropriate use which might cause death, serious injury and/or physical damage.
- Cautions!** : Remarks on inappropriate use which might cause slight injury and/or physical damage.
- Important!** : Remarks on inappropriate use which might cause trouble, damage and/or shorter life to product.

## Instructions for Proper Use

### Warnings!

- This product cannot completely prevent pets from passing through. Do not place the gate in location where passage through could lead to danger.
- Be careful not to stumble. Do not carry a baby or infant when striding over the gate.
- Be careful not to stumble on protruded feet of this product.
- Do not place the gate at the top of a staircase or near a glass door.
- Do not use this product for anything other than its intended purpose.
- Do not use this product while your pet is leashed to avoid unexpected accidents/injuries, such as dog entanglement.
- Make sure each part is properly fixed in place and pay special attention to new-born pups or tiny dogs to avoid unexpected serious injury/damage to pets, and/or product by getting caught between the wires or between wire and wooden frame.
- Injury or death to pet may occur if pet behaves unexpectedly when startled by thunder and lightning, or other animals. Keep the product in a place where it remains in sight at all times.



### Cautions!

- Please use this product for dogs that weigh 6.6 - 33 lbs. Do not use this product for dogs out of this weight range to avoid unexpected injury/or escape.
- When opening/closing side panels, be careful not to pinch your hands, fingers, or pet.
- Do not lean or sit on this product to avoid unexpected personal accidents and/or product damage.
- Keep this product away from all heat sources at all times to avoid unexpected product damage or burn-related injuries to persons/pets.
- Only use genuine parts and do not alter the product to avoid accidents and/or trouble.
- If there is something wrong with the product, discontinue its use at once.

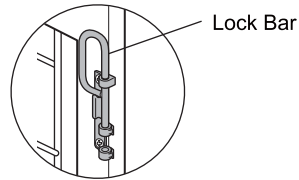
### Important!

- Be sure the product is securely fixed. If not, tighten the bolts as necessary.
- This product is designed for indoor use only. Do not use it outdoors.

## How to assemble

Use a Phillips-head or flat-head screwdriver for assembly.

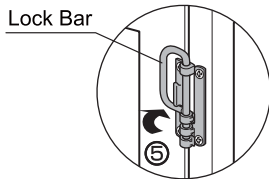
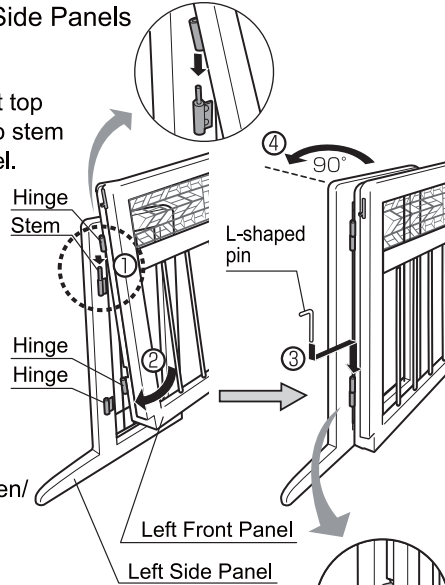
Be sure Lock Bar of Side Panel is unlocked (Slide Lock Bar up) before assembly. (See page 4 "How to Open/Close Side Panel" ③)



### 1. Attach Left Side Panel to Left Front Panel

First, place Front and Side Panels parallel to each other.

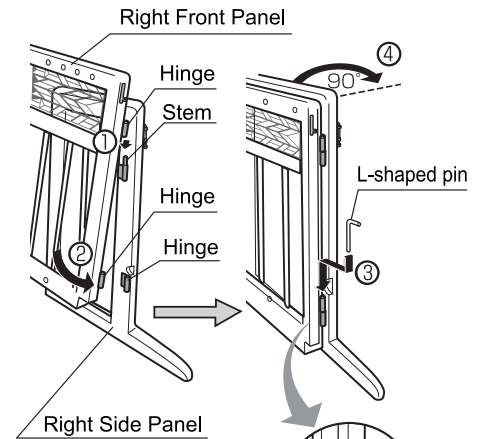
- ① Tilt Front Panel and insert top hinge on Front Panel onto stem of top hinge on Side Panel.
- ② Align bottom hinge of Front Panel with bottom hinge of Side Panel.
- ③ Insert L-shaped pin as shown and turn it to Front Panel.
- ④ Open Side Panel to 90 degrees.
- ⑤ Lock the bar as shown. (See page 4 "How to Open/Close Side Panel" ④)



Turn L-shaped pin to Front Panel.

### 2. Attach Right Side Panel to Right Front Panel

Repeat steps ① - ⑤ for Left Side Panel.

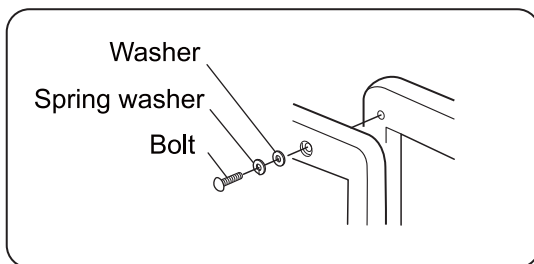
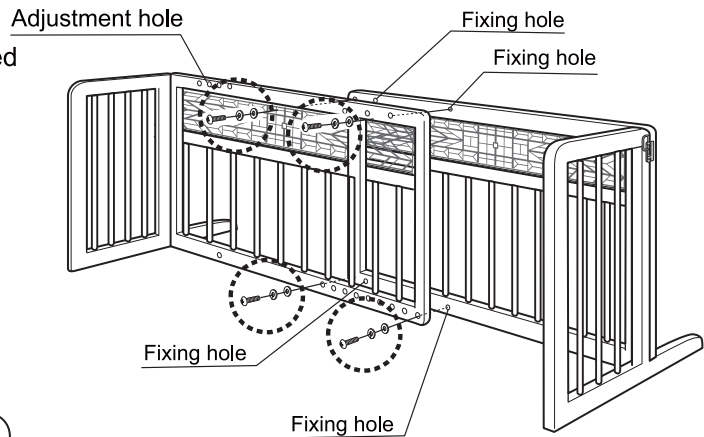


Turn L-shaped pin to Front Panel.

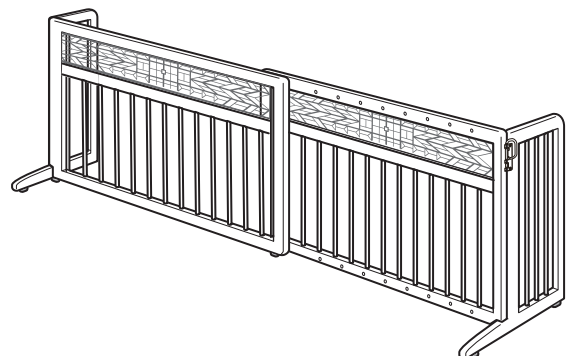
### 3. Attach Front Panels

The position of the Bolts depends on desired gate width. See figures on page 3.

- ① Align Adjustment holes and Fixing holes according to desired width. (Width of gate can be adjusted by intervals of Approx. 2.1".)
- ② Insert bolts into Adjustment and Fixing holes with washers and spring washers at top and bottom of Panels as shown. (To attach 2 panels securely, the distance between the 2 inserted bolts should be as far away as possible.)

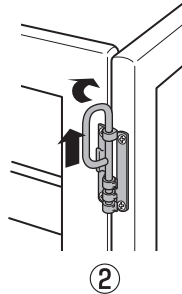
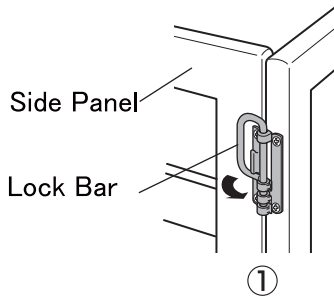


### 4. Complete

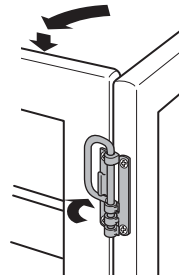
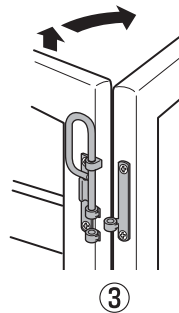


## How to Open/Close Side Panel

- ① Turn Lock Bar toward Front Panel.
- ② Slide Lock Bar up to unlock.
- ③ Lift and open Side Panel.
- ④ Close Side Panel and lock, using the reverse steps.



Lift and Open Side Panel. Lift and Close Side Panel.



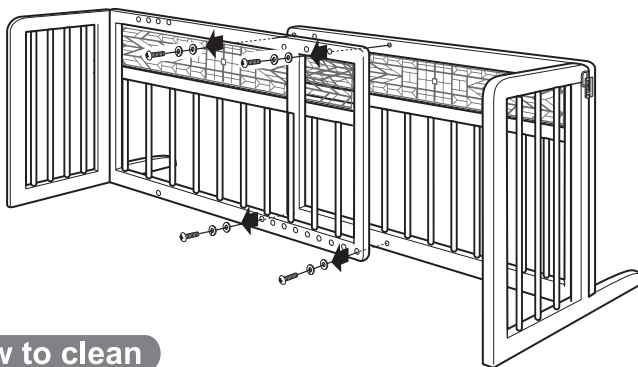
### Cautions!

If you open/close Side Panel without lifting it, it may scratch the floor.

## How to Disassemble

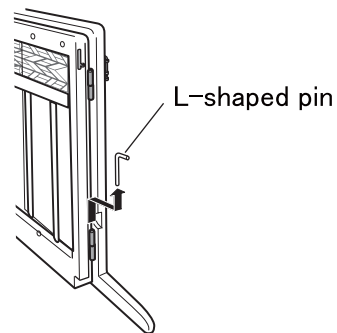
### 1. Disassemble connection

Remove Fixing screws.



### 2. Disassemble each Panel

Remove L-shaped pin from lower hinge and lift Side Panel straight and remove it.



## How to clean

- To clean, use mild detergent and water with soft cloth / sponge. Do not use harsh chemicals such as benzine or thinner.
- Cleaning this product with harsh abrasives or scrubbing brush may cause surface scratches.
- Follow the manufacturer's cleaning instructions if using cresol or other antiseptics.
- After cleaning, wipe dry with a soft cloth or place in shaded area to air dry, do not place product in direct sunlight.

## Specifications

Product Name	Mission Aztec Freestanding Pet Gate
Dimension	42.1 - 72"W x 20.5"D x 23.6"H
Materials	Wooden part : Rubber wood (Lacquer finish)
	Panel : Acrylic resin, Polyethylene terephthalate (PET)
	Pipe part : Steel (Polyeter coating)
	Lock part : Steel
	Rubber skid : Elastomer

Please note that product specifications and design may change without prior notice for the purpose of quality improvement. There may be coating cracks at some joints and each product may experience different coloration of the wood grain as frames are made of natural wood.

If you find something wrong with this product, please let us know, thank you!

Designed by:  
Richell Corporation, Japan

Distributed by:  
**Richell USA Inc.**  
2100 N. Hwy. 360, Suite 1700, Grand Prairie, TX 75050  
Phone (972) 641-9795 Fax (972) 641-8495  
Visit us at [www.richellusa.com](http://www.richellusa.com)  
Made in China