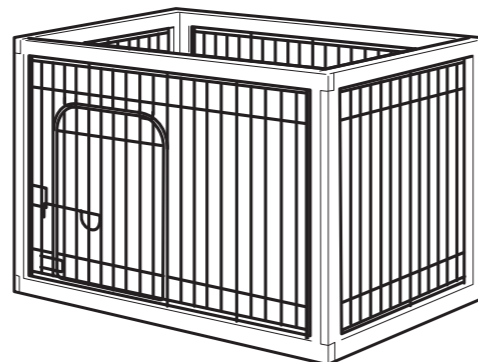


Instruction Manual

Thank you for choosing Richell's Wood Pet Pen.
Please read this instruction manual carefully before assembling or using this product,
and keep for future reference.

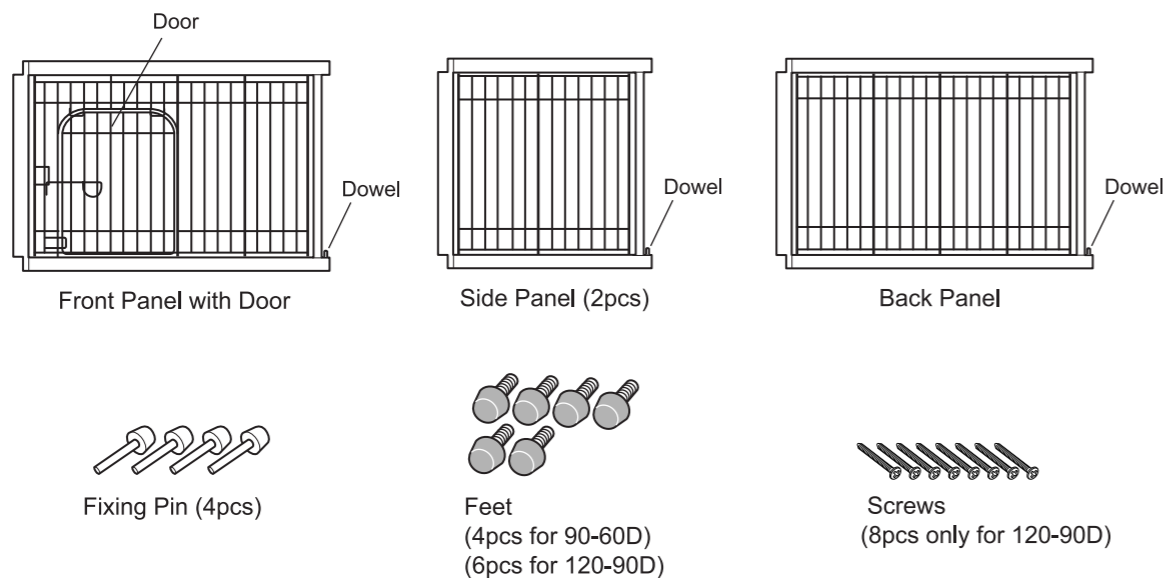
Features

- Model 90-60D is designed for 8 - 44lbs dogs
- Model 120-90D is designed for 20 - 100lbs dogs
- Wire door for ease of placing/removing pet
- Wood-finish for classic look
- Interlocking corners reinforce frame support
- Folds up for easy transport or storage
- Feet protect floor surface



Dimension:
90-60D: 35.4 x 24 x 23.8H"
120-90D: 47.2 x 35.4 x 35.8H"

Parts / Specifications

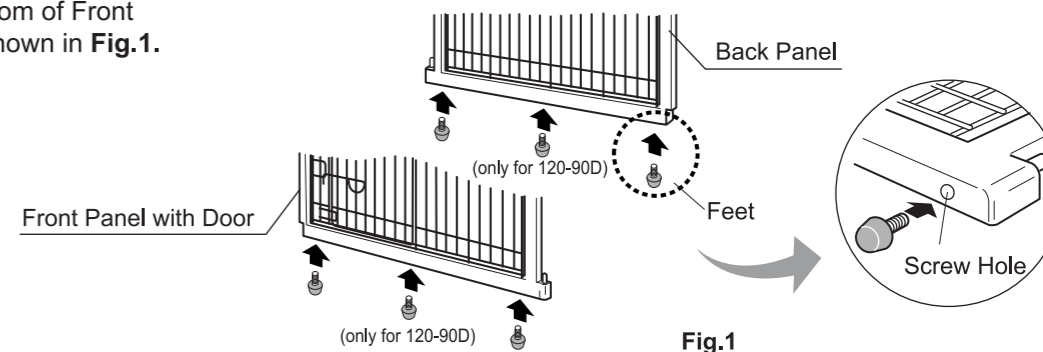


Cautions!

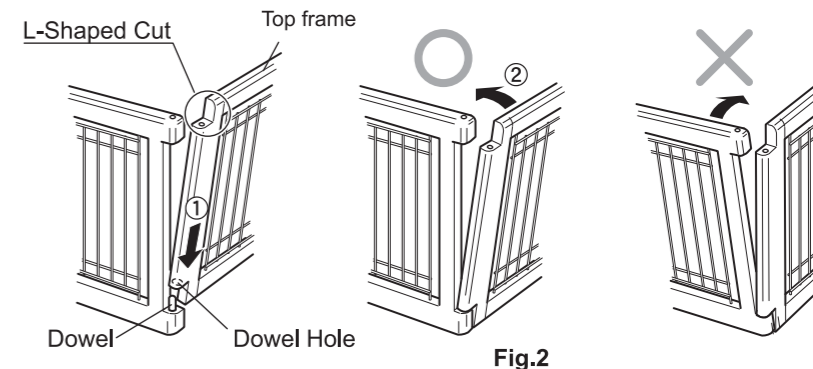
This product is designed for use with pets only.
Do not use this product for any other purpose/use other than its intended purpose.
Keep the product away from fire or extreme high temperatures.
The product is designed for indoor use only. Do not use it outside.
Do not stand or sit on the product, as it may cause injury/damage to self or the product.
Take caution not to pinch your hands or fingers when opening/closing the door.
Use mild detergent to clean. Do not use harsh chemicals such as benzine or thinner.

How to assemble

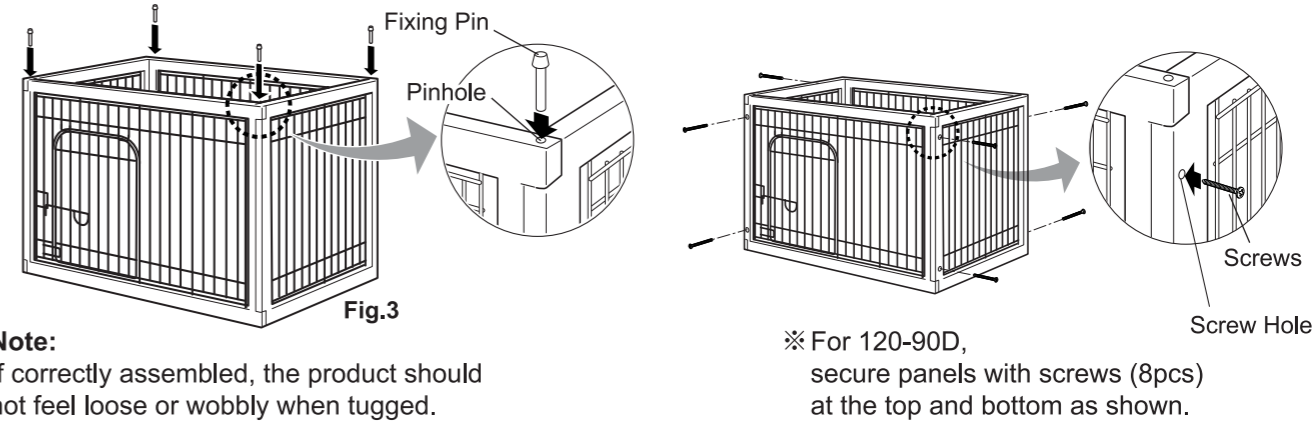
1 Attach Feet to the bottom of Front and Back Panels as shown in Fig.1.



2
① Align the corners of panels by sliding L-shaped Panel into place as shown in Fig.2.
② Insert Dowel into Dowel Hole in L-shaped Panel to lock into place.



3 Insert Fixing Pin (4pcs) properly into Pinholes as shown in Fig.3.



How to open or close the door

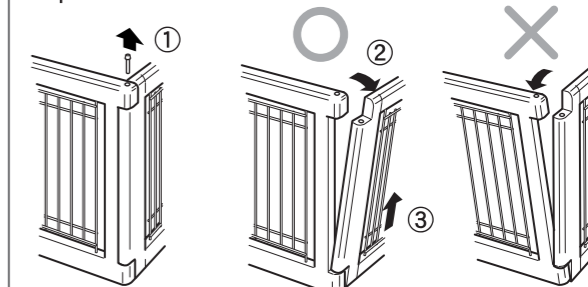
To open, pull Lock up and slide to the right as shown.



To close, slide lock to the left and lower into place as shown.

How to disassemble

Remove Fixing Pins and gently pull L-shaped panel outward as shown.



※ For 120-90D, remove screws before disassembling.

If you find something wrong with this product, please let us know, thank you!

Designed by:
Richell Corporation, Japan

Distributed by:
Richell USA Inc.
2100 N. Hwy. 360, Suite 1700, Grand Prairie, TX 75050
Phone (972) 641-9795 Fax (972) 641-8495
Visit us at www.richellusa.com
Made in China

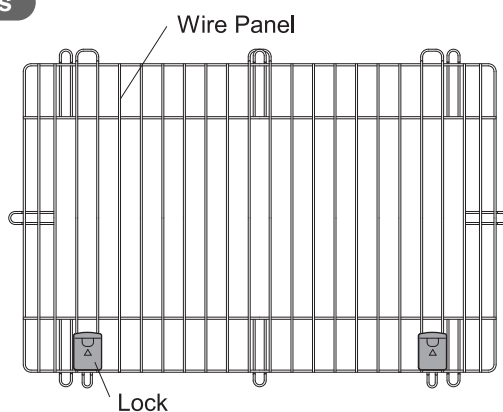
Instruction Manual

Thank you for choosing Richell's Wire Top 90-60.
Please read this instruction manual carefully before assembling or using this product,
and keep for future reference.

Futures

This product is designed exclusively for Richell's Wood Pet Pen 90-60.
Removable Wire Top.

Parts / Specifications



Dimension: 35" W x 23.6D x 2H
(89cmW x 60D x 5H)

Materials: Wire Panel: Steel
Lock: ABS resin

Cautions

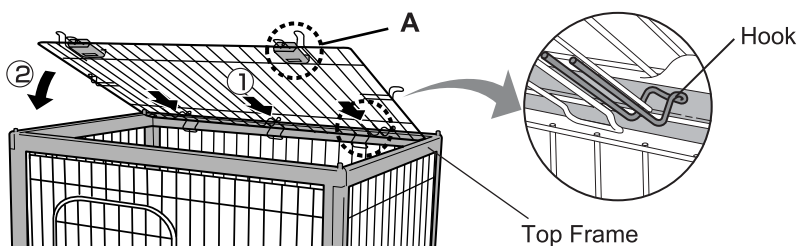
- Do not use this product for anything other than its intended purpose.
- Keep the product away from fire or extremely high temperatures.
- Do not stand or sit on the product, as it may cause injury/damage to person or product.
- Do not grasp Top Panel when moving the product.
- Do not place anything on Top Panel.
- Use mild detergent to clean. Do not use harsh chemicals such as benzine or thinner.

How to attach Top Panel to Pen

Note:

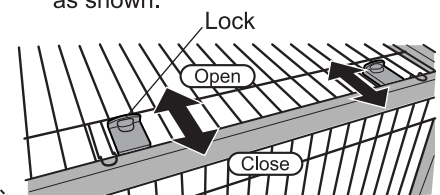
This product is designed exclusively for Richell's Wood Pet Pen 90-60.
Wood Pet Pen 90-60 and Tray 90-60 are sold separately.

- (1) Place the rear hooks of Top Panel on Top Frame as shown.
- (2) Lower the front of Top Panel to Top Frame and lock as shown.



A. How to open Top Panel

Slide Locks of Top Panel to the back as shown.



If you find something wrong with this product, please let us know, thank you!

Designed by:
Richell Corporation, Japan

Distributed by:
Richell USA Inc.
2100 N. Hwy. 360, Suite 1700, Grand Prairie, TX 75050
Phone (972) 641-9795 Fax (972) 641-8495
Visit us at www.richellusa.com
Made in China