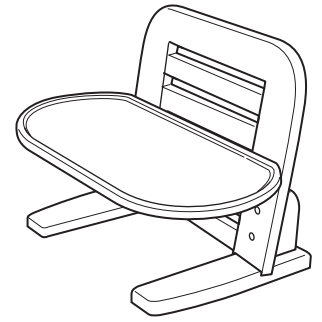


Instruction Manual

Doggy Dining Table

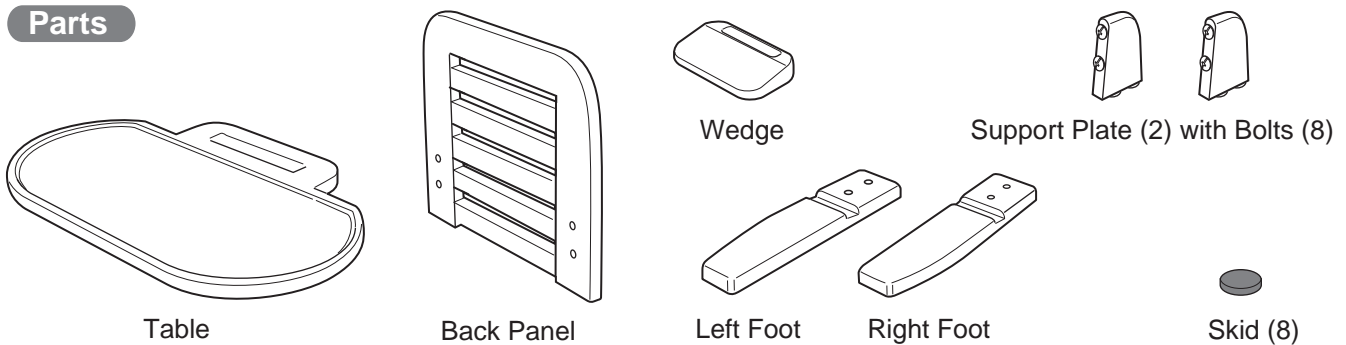
Thank you for choosing Richell's Doggy Dining Table.
Please read this instruction manual carefully before assembling or using this product, and keep for future reference.



Features

- This product is designed for small-large dogs, body height 5.9" - 15.7" (15 - 40cm)
- Easy to adjust to 5 different heights: 2.7", 4.7", 6.7", 8.7", 10.6" (7, 12, 17, 22, 27cm)
- Table holds food and water bowls securely in place

Parts



Cautions

- Do not climb or sit on the product.
- This product is designed for dog's table. Do not use this product for anything other than its intended purpose.
- Place the product on a flat, sturdy surface.
- Be careful not to get hurt while assembling.
- Keep the product away from fire or extremely high temperatures.
- Use the product carefully. Don't drop or hit it.
- Do not alter the product as it may cause the unexpected accidents/damage.
- Please note the wood color or grain may vary since this product is made of wood.
- Do not place the product in direct sunshine or hot and humid conditions.
- The product is designed for indoor use only. Do not use outside.
- Be sure product is securely assembled. If not, tighten the bolts as necessary.
- Wipe water spills immediately with a dry, soft cloth to avoid water stains to wood finish.

Specifications

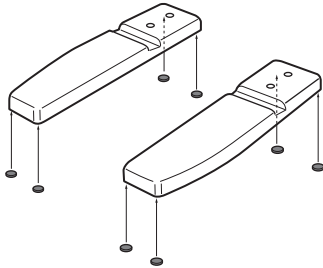
Product Name	Doggy Dining Table
Dimension	17.7"W x 12.9"D x 12.8"H 45W x 32.8D x 32.6H(cm)
Materials	Wooden part: Rubber wood, lacquer finished Metal part: Steel, polyester powder coating Skid: Polyethylene

How to assemble

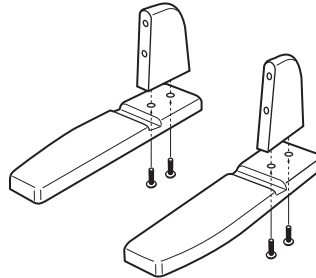
You will need a Phillips-head screwdriver.

*First, remove the bolts from Support Plates before assembling

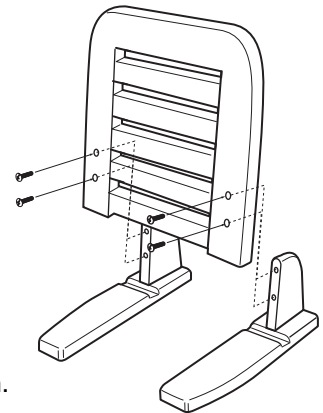
1. Attach Skid to the bottom of Left/Right Foot (4 each).



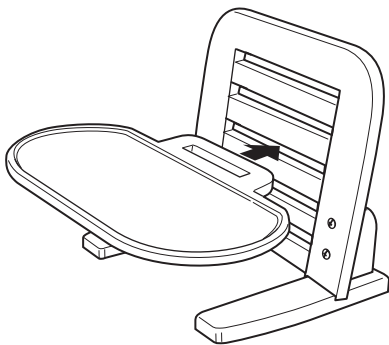
2. Attach Support Plate to Left/Right Foot with bolts (2 each).



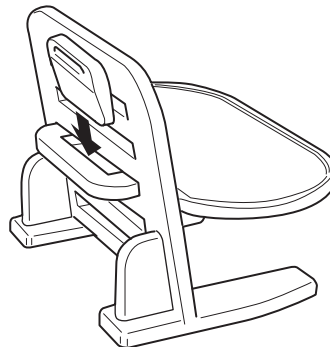
3. Attach Back Panel to Left/Right Foot with bolts (4 each).



4. Insert Table at the desired height as shown.



5. Insert Wedge to lock Table as shown.

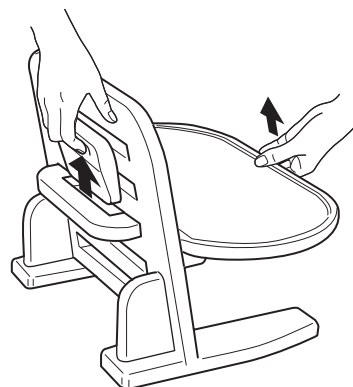


*Be sure each part is securely assembled.

How to change Table height

*Be careful not to pinch fingers.

Using both hands as shown, lift Wedge up and slide Table out. Insert Table at the desired height and replace Wedge to lock into position.



*Be sure the bolts are securely assembled.
If not, tighten the bolts as necessary.

How to clean

- Use mild detergent and water, and clean with soft cloth or sponge. Wipe dry with soft cloth.
- Never use harsh chemicals such as thinner, benzene or alcohol.
- Do not use scrub brush or abrasive scouring materials.

Designed by :
Richell Corporation, Japan

Distributed by :
Richell USA Inc.
2100 N. Hwy. 360, Suite 1700, Grand Prairie, TX 75050
Phone (972) 641-9795 Fax (972) 641-8495 www.richellusa.com
Made in Vietnam