

# Instruction Manual

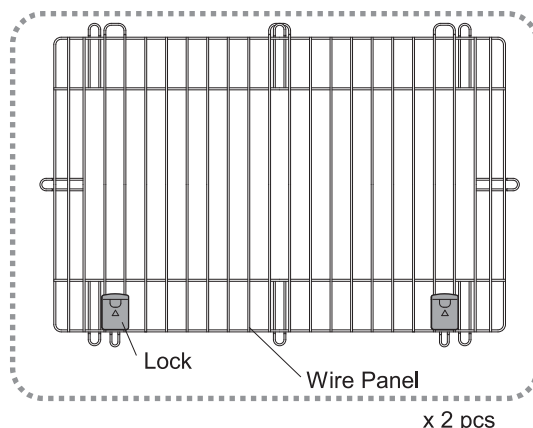
Thank you for choosing Richell's Wire Top 120-90 set.  
Please read this instruction manual carefully before assembling or using this product, and keep for future reference.

## Features

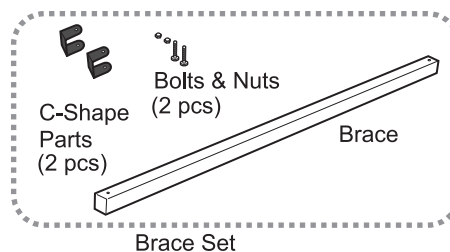
This product is designed exclusively for Richell's Wood Pet Pen 120-90.  
Removable Wire Top.

**Attach Top Panel after assembling Pen according to the instruction manual.**

## Parts / Specifications



Materials: Wire Panel: Steel  
Lock: ABS resin



Materials: Brace: Rubberwood  
C-Shape Parts: Steel  
Bolts & Nuts: Steel

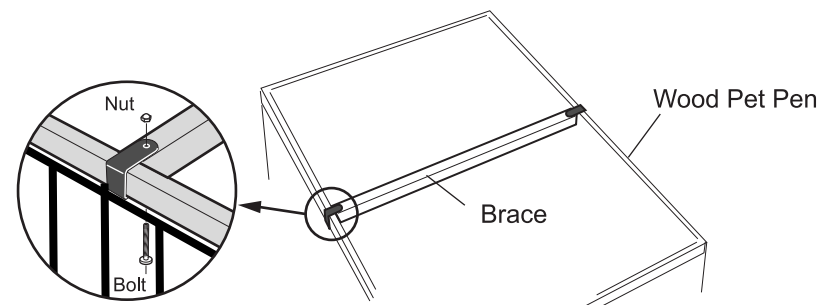
## Cautions

Do not use this product for anything other than its intended purpose.  
Keep the product away from fire or extremely high temperatures.  
Do not stand or sit on the product, as it may cause injury/damage to person or product.  
Do not grasp Top Panel when moving the product.  
Do not place anything on Top Panel.  
Use mild detergent to clean. Do not use harsh chemicals such as benzene or thinner.

## How to attach Top Panel to Pen

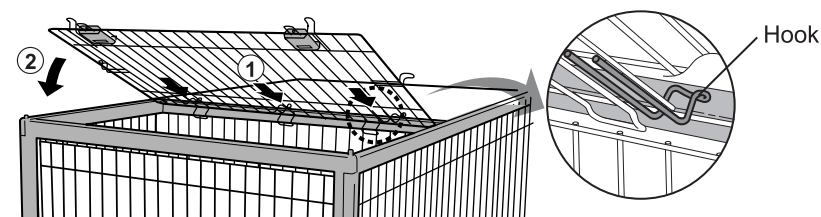
**Note:** This product is designed exclusively for Richell's Wood Pet Pen 120-90.

1. Attach Brace  
Hold Brace in the center of the top frame, parallel to short side of frame.  
Using C-Shape Parts as shown, insert Bolts from bottom and secure with Nuts.



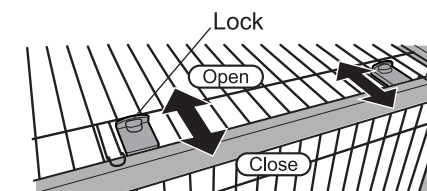
2. Attach Wire Panel

- ① Place one Wire Panel with the hooks on the Brace and the locks facing outward.
- ② Lower the Wire Panel, making sure locks face outwards, and lock as shown.
- ③ Repeat step ① and ② with the other panel.



## How to open close Top Panel

Slide Locks of Top Panel to the back as shown.



If you find something wrong with this product, please let us know, thank you!

Designed by:  
Richell Corporation, Japan

Distributed by:  
**Richell USA Inc.**  
2100 N. Hwy. 360, Suite 1700, Grand Prairie, TX 75050  
Phone (972) 641-9795 Fax (972) 641-8495  
Visit us at [www.richellusa.com](http://www.richellusa.com)  
Made in China