

Instruction Manual

Thank you for choosing Richell's Product. Please read this instruction manual carefully before using this product, and keep for future reference. If you give this product to someone else, please also give this instruction manual to the new owner. Please note some parts of the figures shown below may be slightly different from the actual product, for your better understanding of the structure and proper use.

Proper Usage

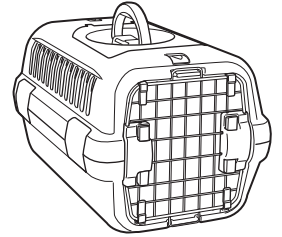
- The Small is designed for extra small pets up to 11lbs and the Medium is designed for Small Pets up to 17.6lbs.

What are the following signs?

The following signs are special remarks for safety use of the product. Keep these remarks in mind before using this product.

Warnings! : Remarks on inappropriate use which might cause death, serious injury and/or physical damage.

Cautions! : Remarks on inappropriate use which might cause slight injury and/or physical damage.



Instruction for Proper Use

Warnings!

- Make sure seat-belt is attached to this product correctly to avoid unexpected accidents.

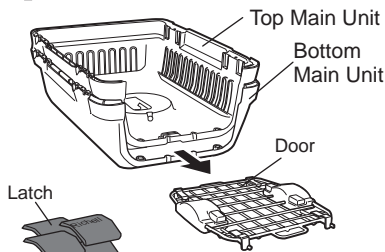
Cautions!

- Please use the Small for extra small pets that weight up to 11lbs and the Medium for small pets up to 17.6lbs. Do not use this product for pets out of this weight range to avoid unexpected accidents.
- Do not lean or get on this product to avoid unexpected injuries and/or product damages.
- Do not put your hands or fingers the spaces between the part of Main Unit to avoid unexpected injuries.
- Some parts have shape edges. Pay attention handing this product to avoid unexpected injuries.
- Make sure Latches and Door locks properly before carrying this product.
- Do not use this product if you find anyf deformed parts and/or product damages.
- Keep this product away from all heat sources at all times to avoid unexpected product damages or burn-related injuries to self/pets.
- When children are around, please make sure to use this product under adult supervision.
- Do not use this product while your pet is leashed to avoid unexpected accidents, such as pet entanglement.
- This product does not guarantee the safety of your pets.

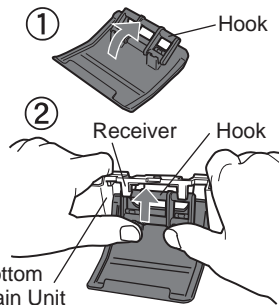
How to Assemble

This product is constructed by four parts; Top Main Unit, Bottom Main Unit, Latch and Door.

1 Preparation

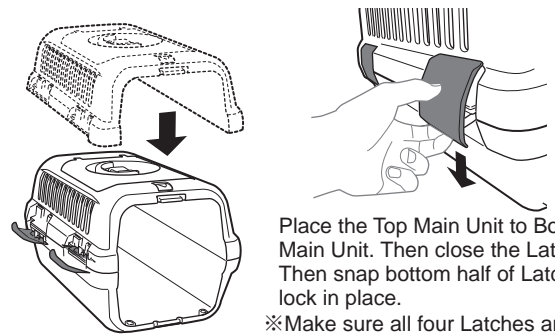


Separate Top and Bottom Main units. Then, remove the door panel and latches stored between them.



1. Align the Hook of the Latch to the Receiver,
2. Then, push up the Hook and insert it to the Receiver on the side of Base Main Unit and attach. (4 locations)

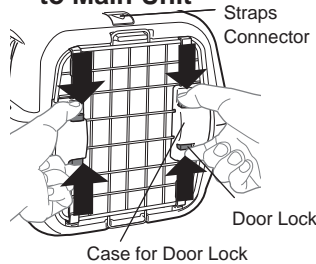
2 How to Attach the Top/Bottom Main Unit



Place the Top Main Unit to Bottom Main Unit. Then close the Latches. Then snap bottom half of Latch to lock in place.

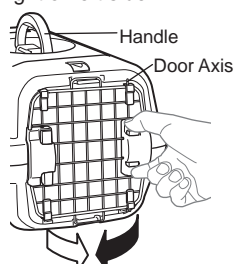
※Make sure all four Latches are slid down and locked correctly.

3 How to Attach the Door to Main Unit



Slide the Top and Bottom Door Lock on each side of Door and place the Door Axes into the holes on the Main Unit. Then release the Top and Bottom Door Locks to attach the Door to Main Unit.

Door open/close from right or left side.

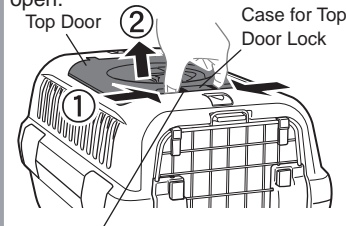


※Make sure all four Door Axes are placed into the holes and attached properly.

How to Open/Close the Top Door

How to Open

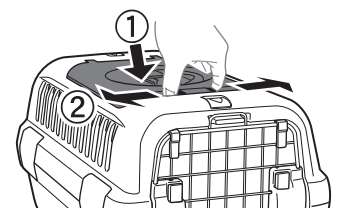
Slide the Lock on the Top Door to release. Then lift the Top Door to open.



Top Door Lock

How to Close

Slide the Lock on the Top Door. Then, pull the Top Door down slowly to close.

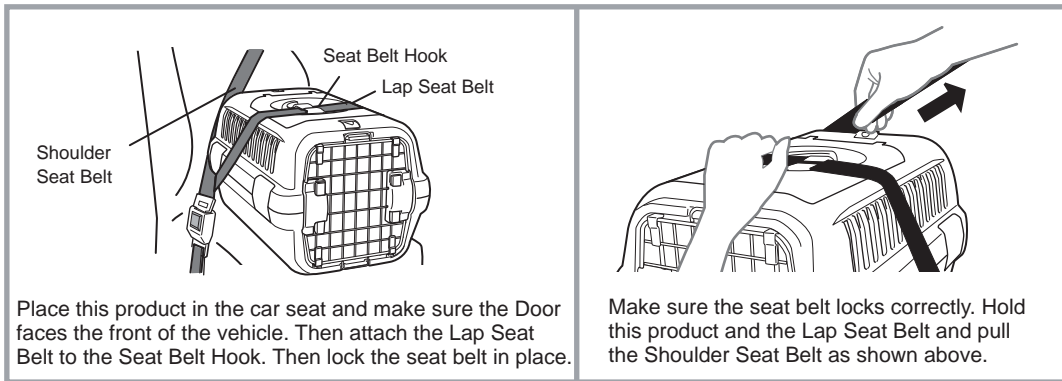


※Make sure to lock the Top Door properly.

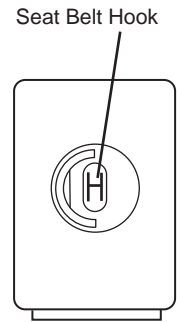
Cautions!

When opening/closing the Top Door, be careful not to pinch your fingers or your pet's paws.

How to Attach to the Seat Belt

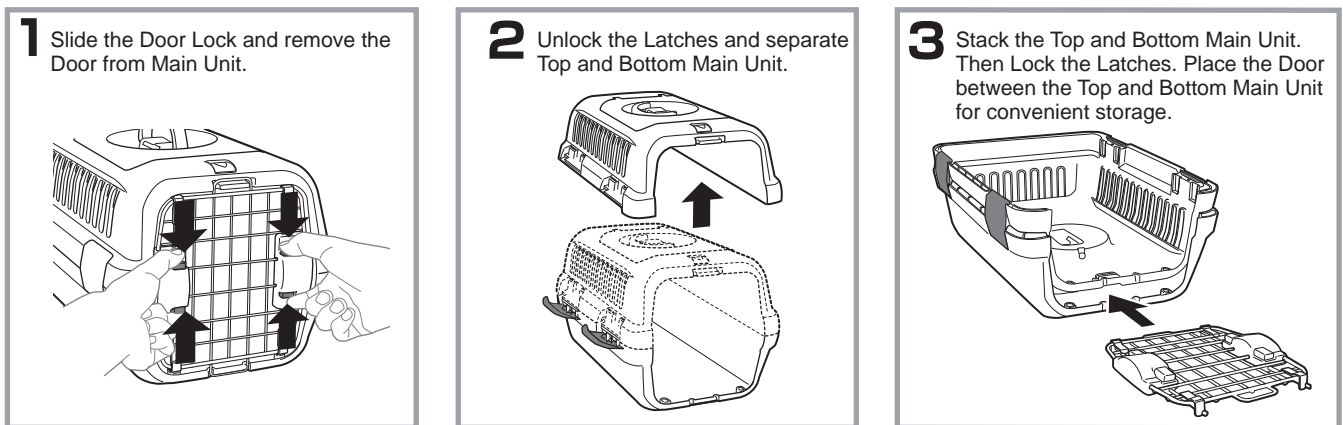


Top view of this product



- This product is designed to attach to the 3-point Seat Belt. Do not use for the 2-point Seat Belt. Not for use with automatic seat belts or vehicles with no seat belts.

How to Storage



How to Clean

- Use a mild detergent and water and clean with a soft cloth/sponge. Cleaning with a scrub brush and/or using a polishing powder may cause scratches, rust and/or discoloring of this product.
- When using creosol or other disinfectants, make sure to dilute them, otherwise discoloration may occur.
- Do not use harsh chemicals such as thinner, benzene or alcohol as these may cause damage/discoloration.
- After cleaning, wipe dry with soft cloth or place in a shaded area to air dry; do not place product in direct sunlight.

Specifications

UPC	803840 80019-5 / 803840 80020-1 / 803840 80021-8	803840 80022-5 / 803840 80023-2 / 803840 80024-9
Dimension	12.4"W x 18.5"D x 11.2"H	14.4"W x 22.4"D x 14.4"H
Material	Main Unit (Handle, Case for Door Lock, Straps Connector): Polypropylene Latch, Latch Axis, Door Lock: ABS Door, Door Axis: Steel (Polyester coating) Spring: Stainless-steel Top Door: Polycarbonate Top Door lock, Top Door Axis: ABS Case for Top Lock: Polypropylene	

- Please note that product specifications and design may change without prior notice for the purpose of quality improvement.
- If you find something wrong with this product, please let us know. Thank you!



Designed by:
Richell Corporation, Japan
Distributed by:
Richell USA, Inc.
Grand Prairie, Texas 75050
Phone (972) 641-9795 Fax (972) 641-8495
Visit us at www.richellusa.com
Made in Japan